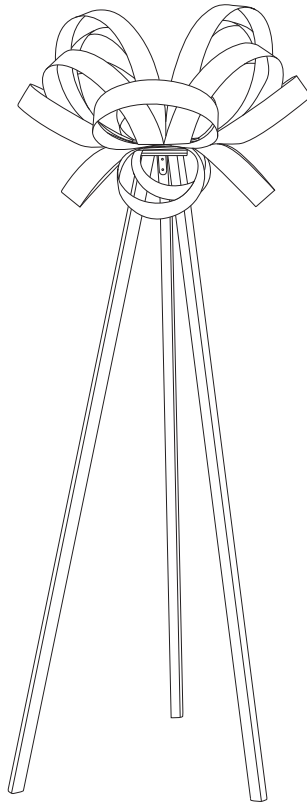


Tom Raffield

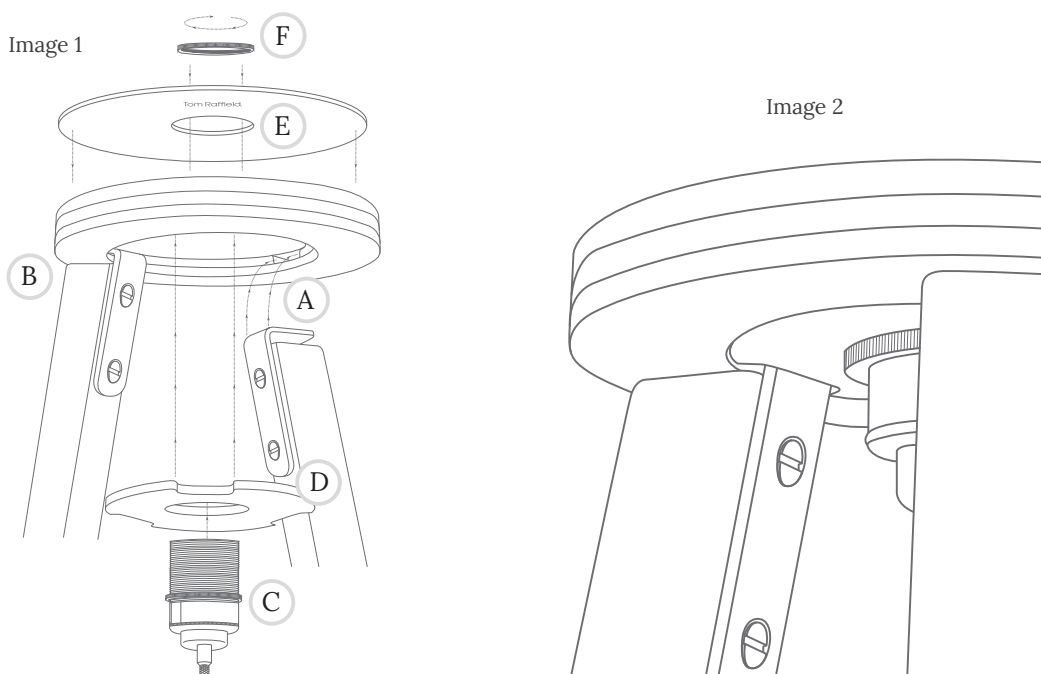


Floor Light



Assembly Instructions

Floor Light Assembly Instructions



Before attaching your lampshade and lamp holder to the stand, you first need to attach the legs of the tripod to the plywood top plate.

1. To fit the wooden legs to the plywood top plate, gently slot the legs one at a time in to the slots inside the opening of the plywood top plate, ensuring the brass bracket is pushed in as far as it will go. (A and B). The components are designed to be a tight fit so may need a firm push to properly slot together.
2. At this point, the legs are not fully held in place so they could potentially loosen from the slot. To temporarily hold them in place, carefully splay each leg so that it is held under tension to stop them from moving and coming loose.
3. To secure the legs in place and fit the bulb holder, remove one of the shade rings from the bulb holder and thread the other all the way to the base of the threaded collar (C). Slot the locking disk (D) over the bulb holder and push both parts up underneath the plywood top plate so the cut out tabs are in-line with the brass brackets (D).
4. While holding the bulb holder and locking disk from underneath, place the lampshade on top of the top plate (E) and secure in place using the additional shade ring (F). This should be done up tight to ensure the shade is secure and that the locking disk is in the correct position to hold the legs firmly. Image (2) shows how each tripod leg should look if fitted correctly.
5. Screw in your chosen light bulb and then plug the light into the nearest outlet. The light has been designed to work with an E27 **LED** light bulb, up to a maximum of **25 Watts**.

*** If the external flexible cable or cord of this luminaire is damaged, it shall be exclusively replaced by the manufacturer or his service agent or a similar qualified person in order to avoid a hazard. ***

For more information on the assembly of your product: contact@tomraffield.com +44 (0)1326 722725