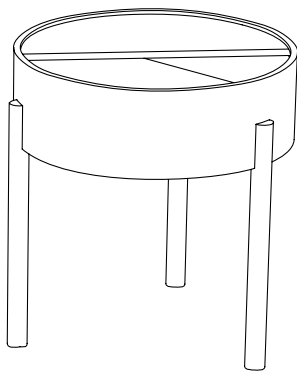


ASSEMBLY INSTRUCTION

Arc



WOUD

**WE WANTED TO CREATE A BEAUTIFUL PLACE
TO HIDE YOUR MESS. ARC IS A SIMPLE TABLE
WITH A HIDDEN STORAGE SPACE. BY SIMPLY
ROTATING HALF OF THE CIRCULAR LID, THE
EXPRESSION IS EVER CHANGEABLE. THE
THREE-LEGGED CONSTRUCTION ADDS A
PLAYFUL AND LIGHT TOUCH TO THE
GEOMETRIC SHAPED DESIGN. BASED ON
THE SIMPLE GEOMETRICS, THE TABLE CAN
BE USED IN VARIOUS WAYS.**

A handwritten signature in black ink, consisting of two names: 'Julie Begtrup' and 'Ditte Vad'. The signature is written in a fluid, cursive style.

JULIE BEGRUP AND DITTE VAD

STEP 1 AND 2 ONLY APPLIES TO:

ARC COFFEE TABLE Ø66

ARC COFFEE TABLE Ø89

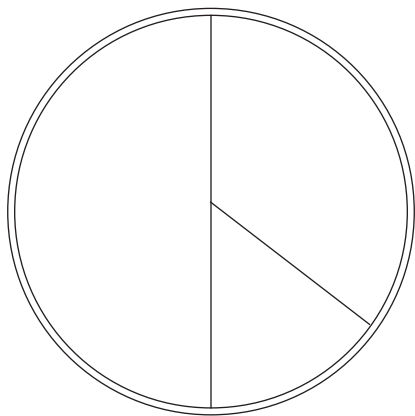
TAKE CARE

**WE HAVE NOW HANDED OVER
ONE OF OUR DARLINGS TO YOU.
NOW IT IS YOURS. TAKE GOOD
CARE OF IT. YOU CAN READ THE
CARE INSTRUCTIONS FOR ALL
OUR MATERIALS AT OUR WEBSITE.**

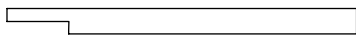
WOUND.DK/TAKECARE

ASSEMBLY INSTRUCTION

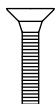
**PLEASE GO THROUGH THE FOLLOWING
STEPS CAREFULLY. RETAIN THIS MANUAL
FOR FUTURE REFERENCE TO ENSURE THAT
YOUR NEW ITEM IS CORRECTLY ASSEMBLED
IN CASE IT SHOULD BE DISASSEMBLED OR
MOVED. WE ARE NOT RESPONSIBLE FOR
ANY FAULTS OR DAMAGES CAUSED BY
NOT FOLLOWING THESE INSTRUCTIONS
CORRECTLY.**



A x 1



B x 3



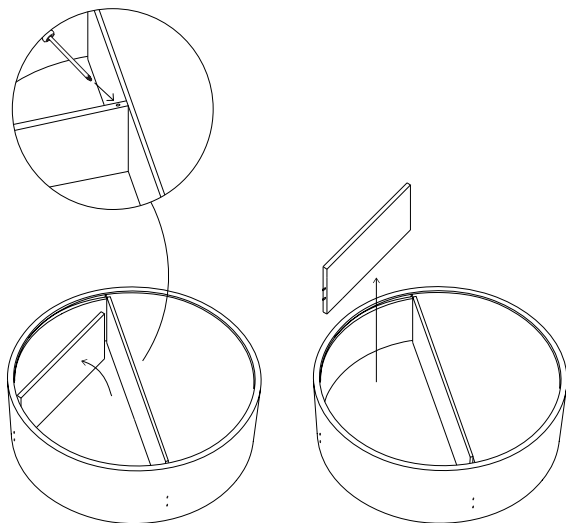
C x 6

TOOLS NEEDED



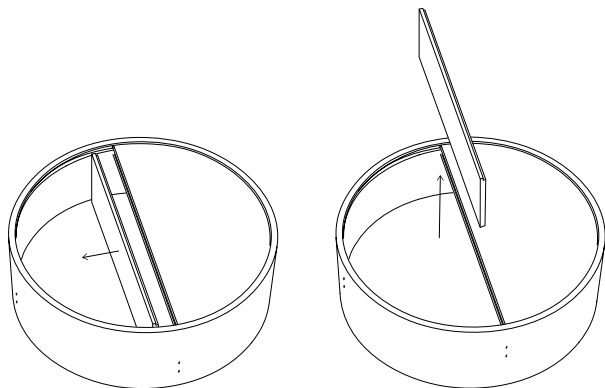
STEP 1

SCREW OUT SCREW, ROTATE AND REMOVE THE SMALL PIECE OF WOOD.
THE WOOD ARE A PART OF THE PACKAGING AND SHOULD BE TROWN OUT.



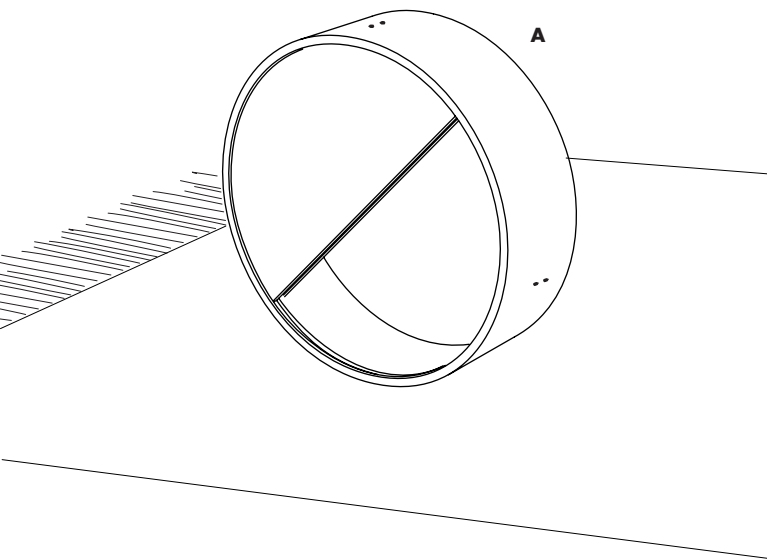
STEP 2

REMOVE THE LARGE PIECE OF WOOD.
THE WOOD ARE A PART OF THE PACKAGING AND SHOULD BE TROWN OUT.



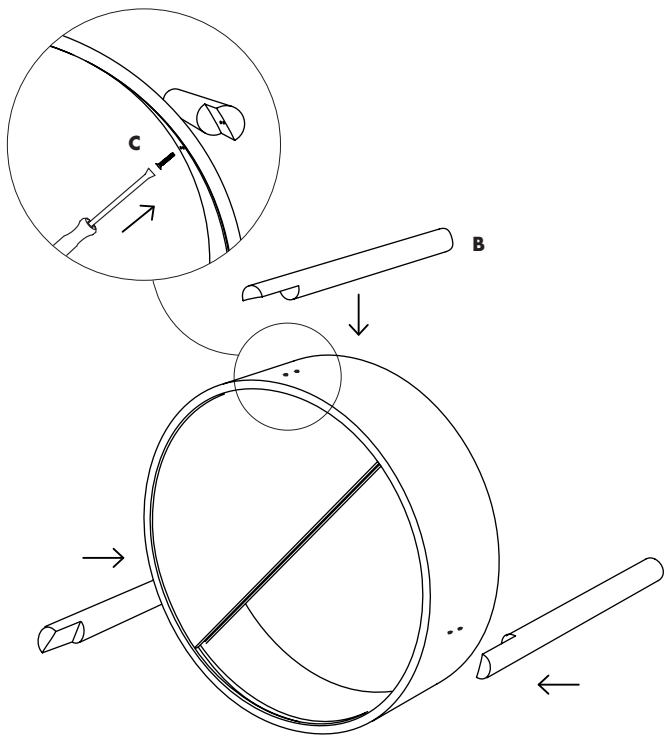
STEP 3

WE RECOMMEND THAT YOU PLACE THE TABLE TOP ON A CARPET



STEP 4

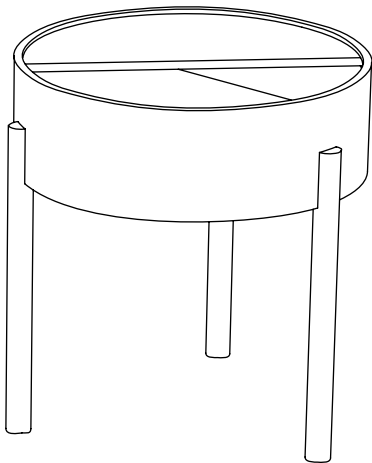
MOUNT THE SCREWS INSIDE OF THE TABLE TOP STORAGE SPACE AND APPLY THE LEGS ON THE OUTSIDE. IF NEEDED, ATTACH FELT GLIDES UNDER EACH LEG.



STEP 5

NOW YOUR ARC TABLE IS READY TO PUT INTO USE. JUST ROTATE THE UPPER LID TO OPEN OR CLOSE THE STORAGE SPACE.

(WE RECOMMEND TO RETIGHTEN THE SCREWS AFTER THE FIRST MONTH, THEREAFTER EVERY SIX MONTHS OR AS NEEDED OVER TIME)



DESIGNED BY
JULIE BEGRUP AND DITTE VAD