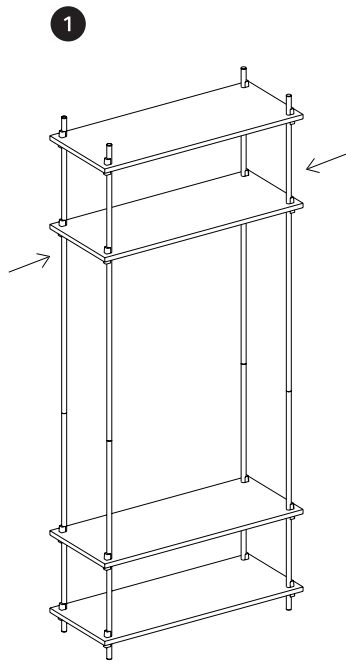
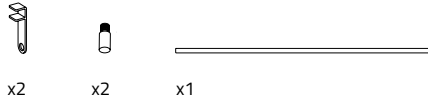


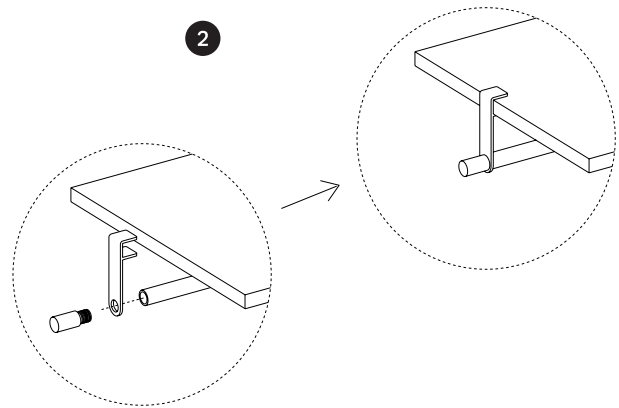
Clothes Bar

With the Clothes Bar add-on you can design your own wardrobe to fit perfectly in your bedroom or hallway. The Clothes Bar is simply attached to each end of a shelf, which means you can always keep adding as many as you have shelves.

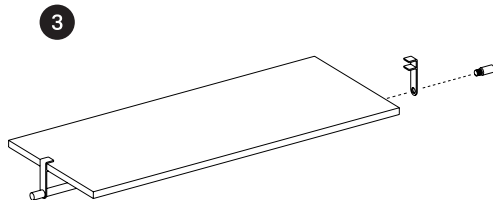
Clothes Bar



The Clothes bar is attached to each end of a shelf.



Mount the grabbing piece by pressing it onto one end of a shelf. Place the bar against the hole and fasten it by screwing on the end piece.



Repeat step two on the other side of the shelf.

