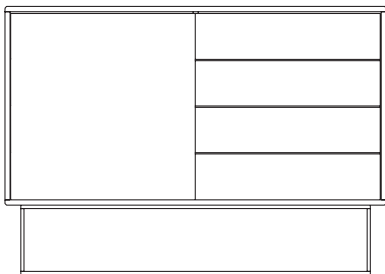


ASSEMBLY INSTRUCTION

Virka



WOUD

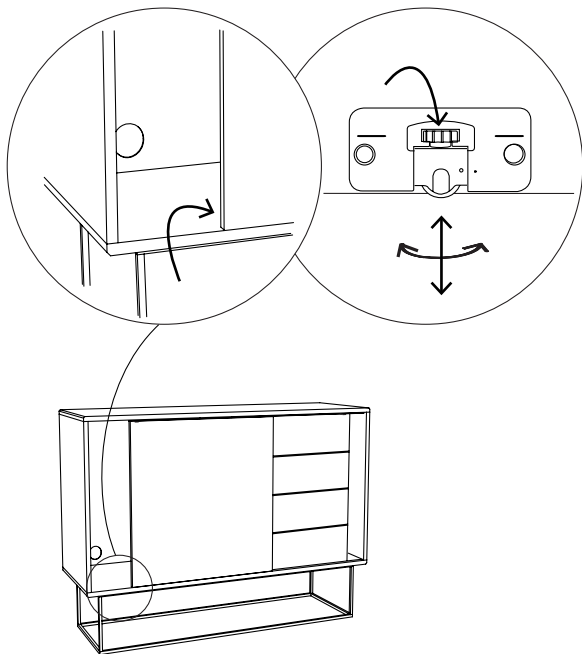
**VIRKA IS AN ELEGANT AND TIMELESS SIDBOARD.
WITH CLEAN LINES AND A SIMPLE EXPRESSION,
THE VIRKA SIDBOARD CAN BE A PART OF A CON-
SISTENT DESIGN LANGUAGE OR BE A STANDALONE
OBJECT. THE SIDBOARD IS DESIGNED WITH
SLIDING DOORS SO IT NEVER WILL TAKE UP
UNNECESSARY SPACE AND THE GEOMETRICAL
FRAME MAKES VIRKA SEEM LIGHT AND ALMOST
HOVERING OVER THE FLOOR.**



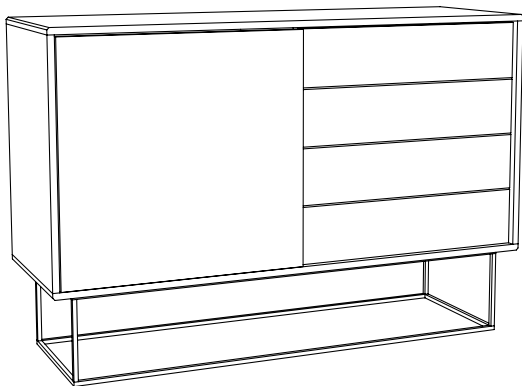
MOAK AND RØPKE DESIGN

ADJUSTMENT INSTRUCTIONS

TWIST THE COGWHEEL ON THE INSIDE OF THE SLIDING DOOR TO ADJUST THE HEIGHT OF THE WHEEL TO MAKE THE DOOR SLIDE MORE EASILY.



**IN EACH CORNER OF THE METAL FRAME SMALL ADJUSTABLE FEET ARE
PLACED. TWIST THEM TO LEVEL THE SIDEBOARD ONCE PLACED AT THE
DESIRED SPOT.**



DESIGNED BY
MOAAK AND RØPKE DESIGN