

# **INPUT**

**ASSEMBLY INSTRUCTION**

**WOUD**

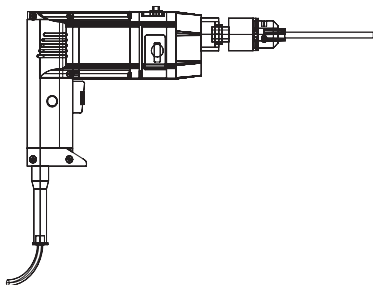
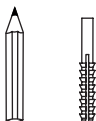
# **ASSEMBLY INSTRUCTION**

**PLEASE GO THROUGH THE FOLLOWING  
STEPS CAREFULLY. RETAIN THIS MANUAL  
FOR FUTURE REFERENCE TO ENSURE THAT  
YOUR NEW ITEM IS CORRECTLY ASSEMBLED  
IN CASE IT SHOULD BE DISASSEMBLED OR  
MOVED. WE ARE NOT RESPONSIBLE FOR  
ANY FAULTS OR DAMAGES CAUSED BY  
NOT FOLLOWING THESE INSTRUCTIONS  
CORRECTLY.**

# TOOLS NEEDED

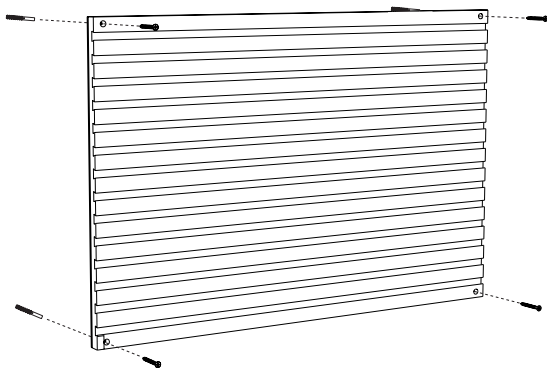
THESE ITEMS ARE NOT INCL. AND CAN BE PURCHASED IN THE SHOPS.

**IMPORTANT: USE RAW PLUGS SUITED FOR YOUR WALL. INCL  
RAW PLUGS MIGHT NOT BE.**



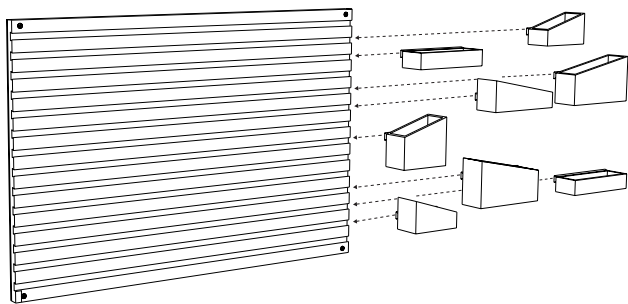
# STEP 1

SCREW BOARD TO WALL USING SUITABLE RAWL PLUGS.



## STEP 2

BOXES ARE ATTACHED BY SIMPLY SLIDING THEM IN FROM THE SIDE.  
BOXES CAN BE PLACED THE WAY YOU WANT.



DESIGNED BY  
ANNE HOLM & SIRID SMETANA