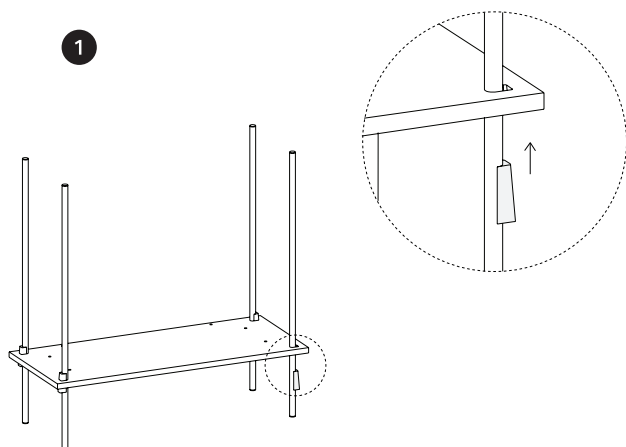
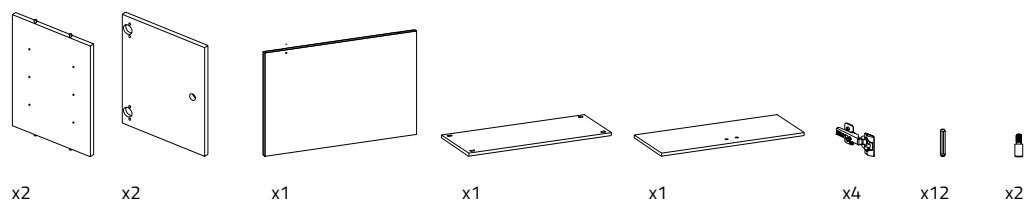


Cabinet

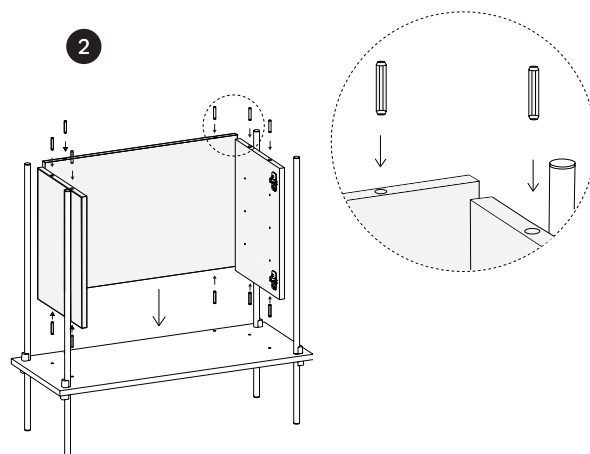
With The Cabinet add-on you have the possibility to hide the things you don't want to show – we all have them.

The Cabinet can be placed at any height within the system, and still allows for shelves to be placed at either side. The add-on for your Shelving System comes flat packed and consists of two custom shelves, two side panels, a back plate, doors and an optional inner shelf.

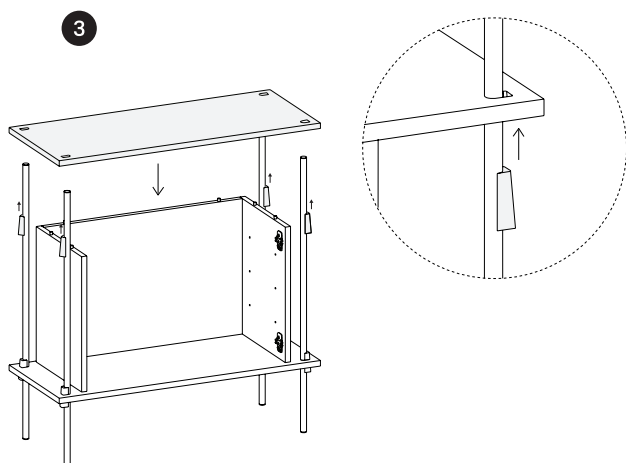
Cabinet



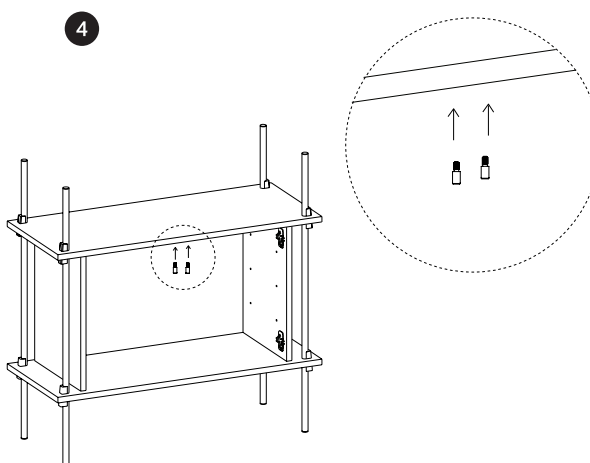
1 Start by placing the bottom shelf at a desired height, fasten it with the wedges. Use a water level and a hammer to make sure it is leveled and secured.



2 Insert the dowels into the holes of the back and side panels. Attach them to the bottom shelf.

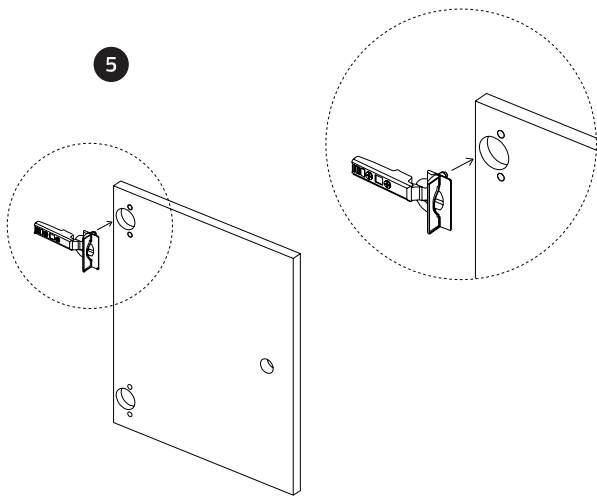


3 Slide down the top shelf until it sits on the dowels of the side panels. Fasten it with the wedges. Use a hammer to make sure it is secured.



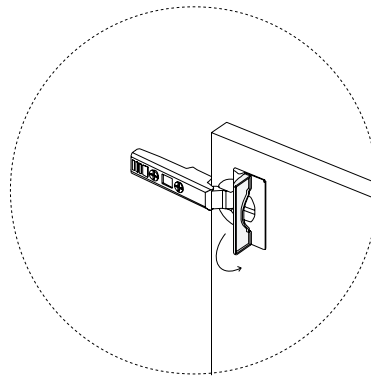
4 Insert the door stoppers by screwing them into the holes of the top shelf.

5



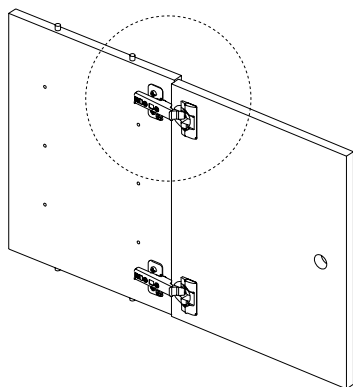
Place the hinges in the large holes of the doors.

6



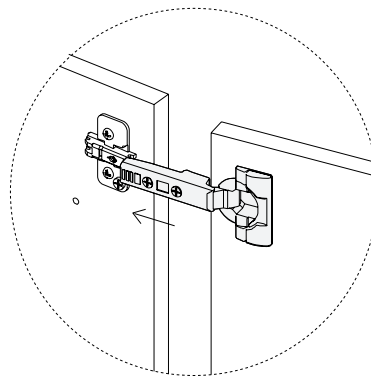
Attach by folding over the metal plate until it clicks into place.

7



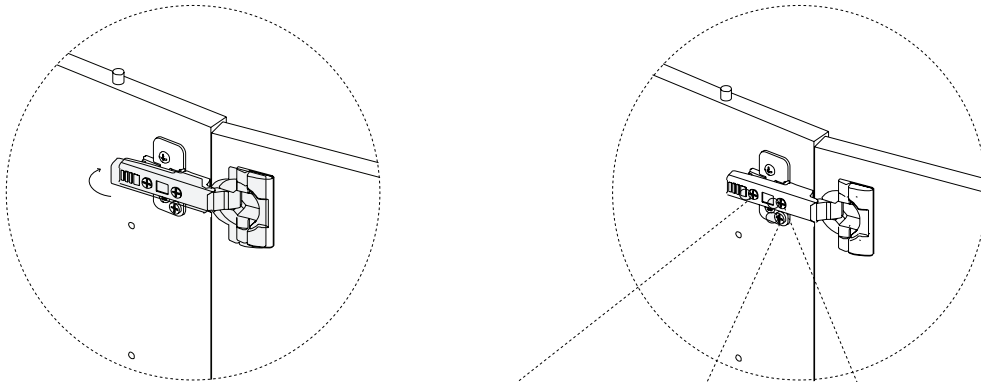
Mount the doors onto the side panels of the cabinet.

8

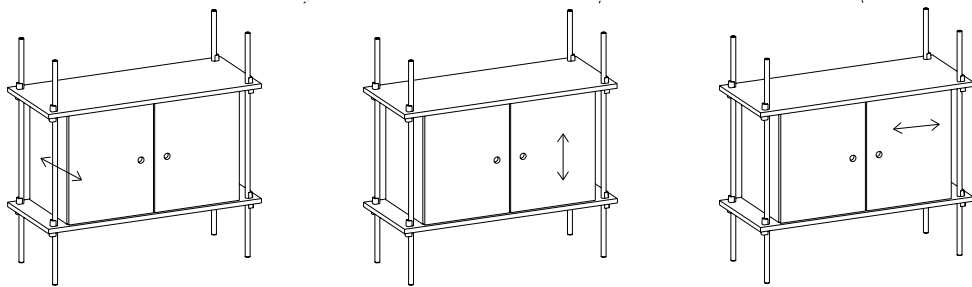


Slide the hinge over the metal plate.

9



Click it into place.



To adjust the placement of the doors,
tighten/loosen these three screws.

Done!