

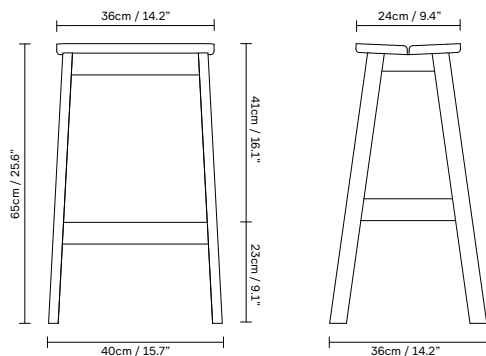
## Angle Standard Bar Stool 65

---

Product Fact Sheet

# Angle Standard Bar Stool 65

No. (5200) Angle Standard Bar Stool, 65, Beech / No. (5201) Angle Standard Bar Stool, 65, Black Stained Beech



## Dimensions:

W: 40 cm / 15.7", H: 65 cm / 25.6", D: 36 cm / 14.2", Seat Depth: 24 cm / 9.4"

## Product description:

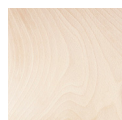
A versatile stool that meets all needs and requirements of form, functionality, and durability. The two sides of the seating base are angled 5 degrees towards each other. This unique design feature facilitates surprising comfort for such a minimal footprint and makes this an ideal choice for seating.

The Angle standard stool is designed for both domestic and commercial spaces, the stool is intended as a heavy-duty seating option that can withstand most impact due to its qualitative solid seat and strong sturdy legs. The Angle standard stool collection brings together enduring material, craftsmanship and functionality.

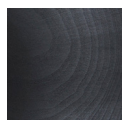
## Designer's thoughts:

"With Angle Standard Stool we aimed for a light, comfortable stool that would stand up to everyday use. Angling the two components of the seat made the small stool surprisingly comfortable, even with prolonged use. The transverse bars give the construction added strength." – Herman Studio

## Finish:



Beech Matt  
lacquer



Beech Black  
stained, RAL  
Code 9005,  
Gloss 5

## Made-to-order:

Non-standard configurations (special colours etc.) are available upon request at a minimum order quantity

**Product type:** Bar stool

**Environment:** Indoor

**Material:** Solid European beech

**Country of origin:** Bosnia-Herzegovina

**Net weight:** 3,3 kg / 7.2 lb

**Designed by/year of design:** Herman Studio, 2018

**Pre-assembled:** Yes

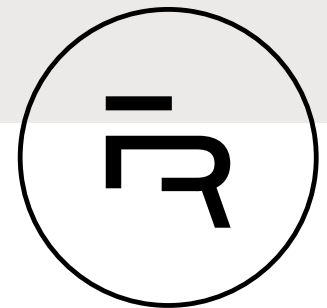
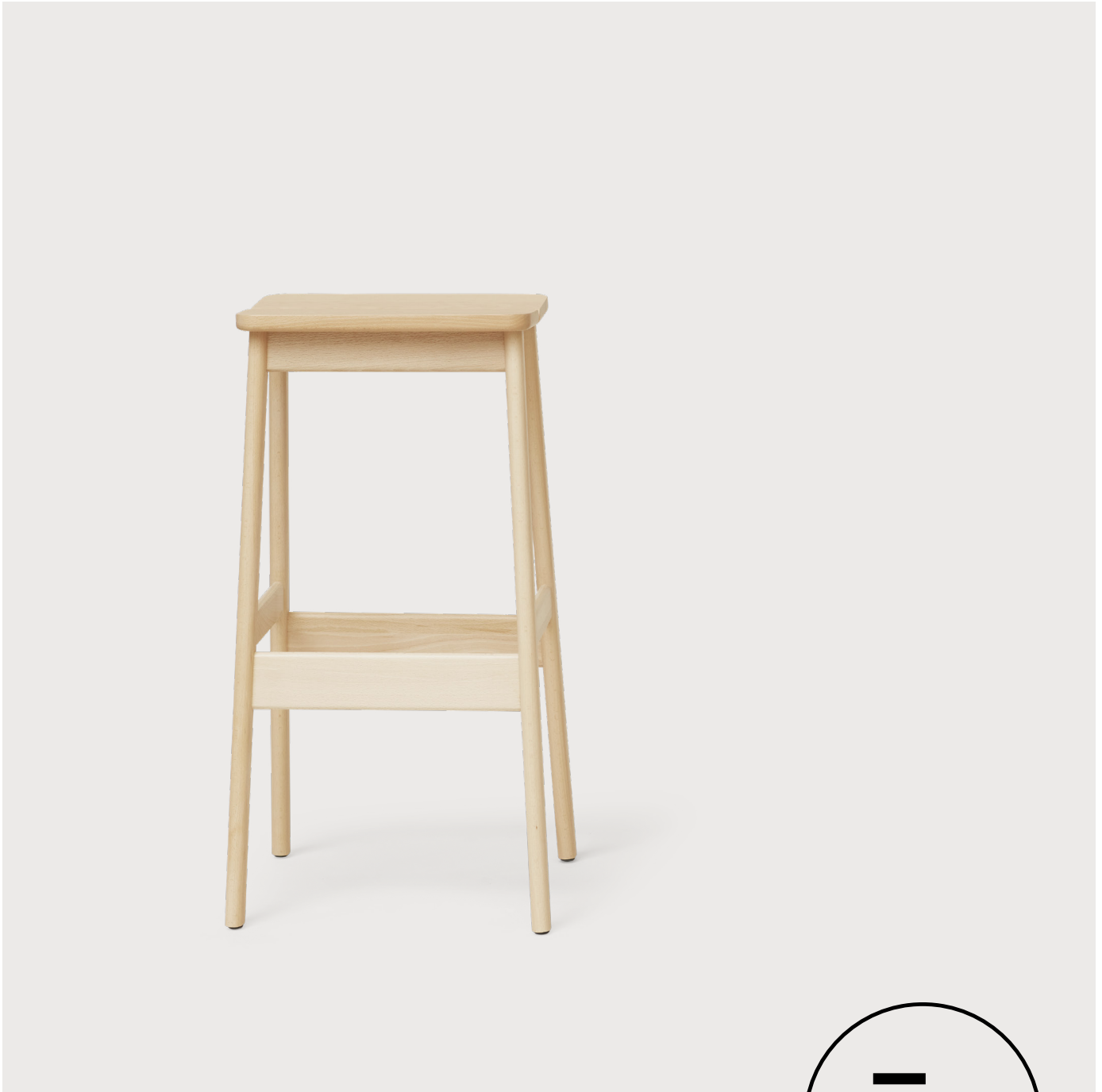
**Contract use:** Yes

**Scope of application:** Kitchen counter stool, bar stool

**Certifications:** FSC certified

**Warranty:** Form & Refine provides a five-year product warranty

**Additional resources:** [Link to image bank, 2D/3D files](#)



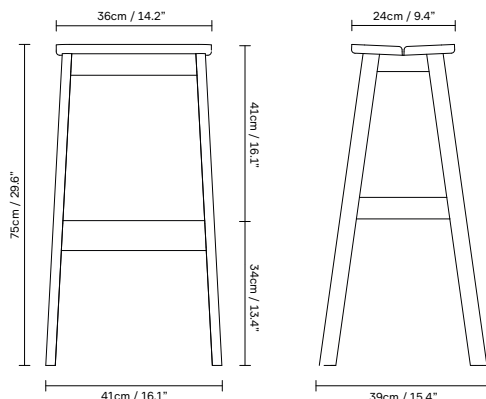
## Angle Standard Bar Stool 75

---

Product Fact Sheet

# Angle Standard Bar Stool 75

No. (5210) Angle Standard Bar Stool, 75, Beech / No. (5211) Angle Standard Bar Stool, 75, Black Stained Beech



## Dimensions:

W: 41 cm / 16.1", H: 75 cm / 29.6", D: 39 cm / 15.4", Seat Depth: 24 cm / 9.4"

## Product description:

A versatile stool that meets all needs and requirements of form, functionality, comfort and durability. The two sides of the seating base are angled 5 degrees towards each other. This unique design feature facilitates surprising comfort for such a minimal footprint and makes this an ideal choice for seating.

The Angle standard stool is designed for both domestic and commercial spaces, the stool is intended as a heavy-duty seating option that can withstand most impact due to its qualitative solid seat and strong sturdy legs. The Angle standard stool collection brings together enduring material, craftsmanship and functionality.

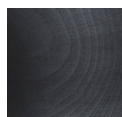
## Designer's thoughts:

"With Angle Standard Stool we aimed for a light, comfortable stool that would stand up to everyday use. Angling the two components of the seat made the small stool surprisingly comfortable, even with prolonged use. The transverse bars give the construction added strength." – Herman Studio

## Finish:



Beech Matt  
lacquer



Beech Black  
stained, RAL  
Code 9005,  
Gloss 5

## Made-to-order:

Non-standard configurations (special colours etc.) are available upon request at a minimum order quantity

**Product type:** Bar stool

**Environment:** Indoor

**Material:** Solid European beech

**Country of origin:** Bosnia-Herzegovina

**Net weight:** 3,7 kg / 8.1 lb

**Designed by/year of design:** Herman Studio, 2018

**Pre-assembled:** Yes

**Contract use:** Yes

**Scope of application:** Kitchen counter stool, bar stool

**Certifications:** FSC certified

**Warranty:** Form & Refine provides a five-year product warranty

**Additional resources:** [Link to image bank, 2D/3D files](#)