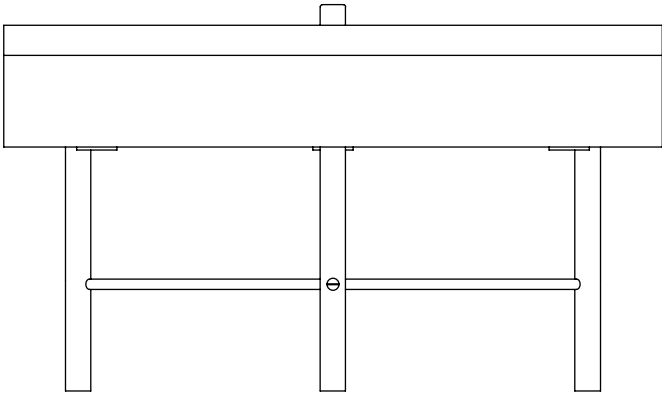


# Turning Table by Theresa Rand



MENU



# Components

Table Top x 1

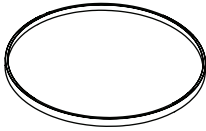
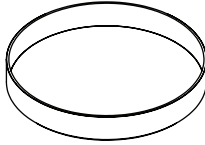
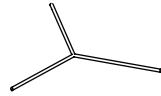


Table Bottom x 1



Stability Part x 1



Legs, Bottom x 3



Legs, Top x 2



Legs, Top for Top Knob x 1



Top Knob x 1



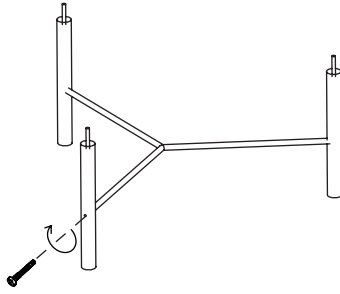
Screws x 2



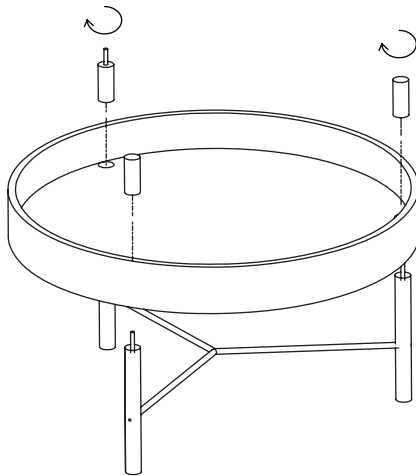
Disc x 5



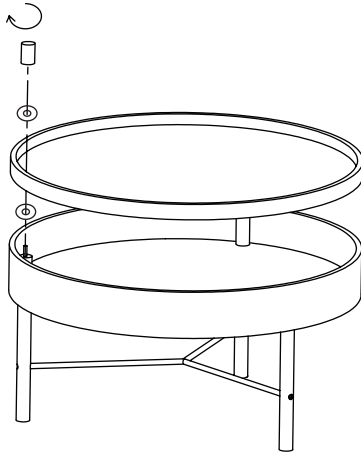
1



2



3



4

