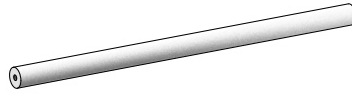


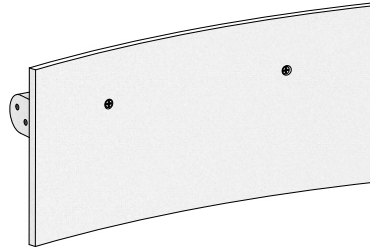
we do wood

Assembly instructions

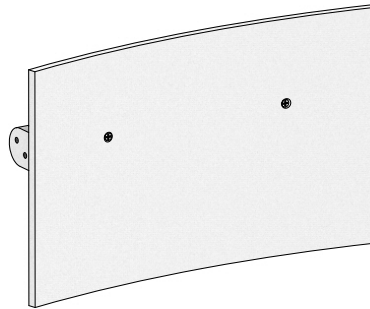
Lilly's Chair



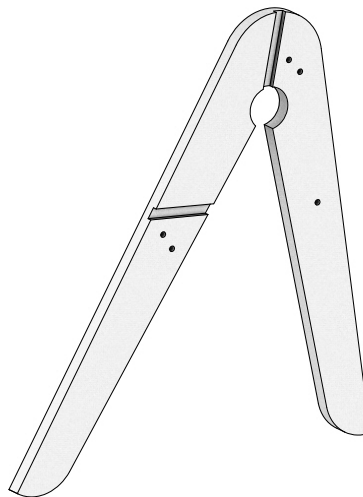
1x Round support



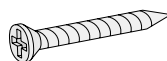
1x Back rest



1x Seat



2x Side section



10x Screws



Assembly Video

Scan the QR code or visit Wedowood.dk/products/lilly's-chair to view detailed assembly video by designer Sebastian Peter Jørgensen.

